



Bullhorn[®]
Monitoring

Advanced SurgeProtect Kit

Ensure your remote monitoring units (RMUs) and rectifiers are safe from electrical surge events.

Use the **two** Surge Arresters and SurgeFuse to keep your equipment operational with less downtime.

aiworldwide.com

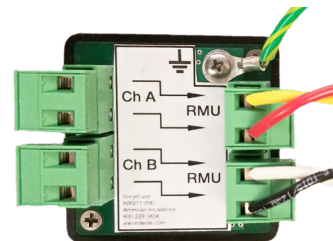
High Energy Surge Arresters (HESA)

Designed with a **full 40kA surge capability — four times the level of traditional secondary surge arresters**. They incorporate Metal Oxide Varistors to ensure superior energy handling for long service life even in the most severe conditions. HESAs are fully enclosed in a stainless steel housing.



SurgeFuse

This powerful device is installed between rectifier outputs and RMU inputs. When a surge event exceeds the HESA's capabilities, SurgeFuse intentionally breaks to **stop the electrical current from damaging the RMU**.



 **American
Innovations**[®]

*Rated to handle
40kA of energy*

Advanced SurgeProtect Kit Specifications

High Energy Surge Arrester

Performance Test Characteristics¹

Description	Characteristic
High-current, short duration:	2 discharges of 40kA crest, 4/10 μ s
Low-current, long duration:	20 surges of 75 A-2000 μ s duration
Duty cycle:	22 operations of 5kA crest, 8/20 μ s current wave

Insulation Withstand Voltages

Arrester rating:	1.2/50 impulse (kV Crest)	1 min dry (kV rms)	10 sec wet (kV rms)
All ratings:	10	6	6

Protective Characteristics²

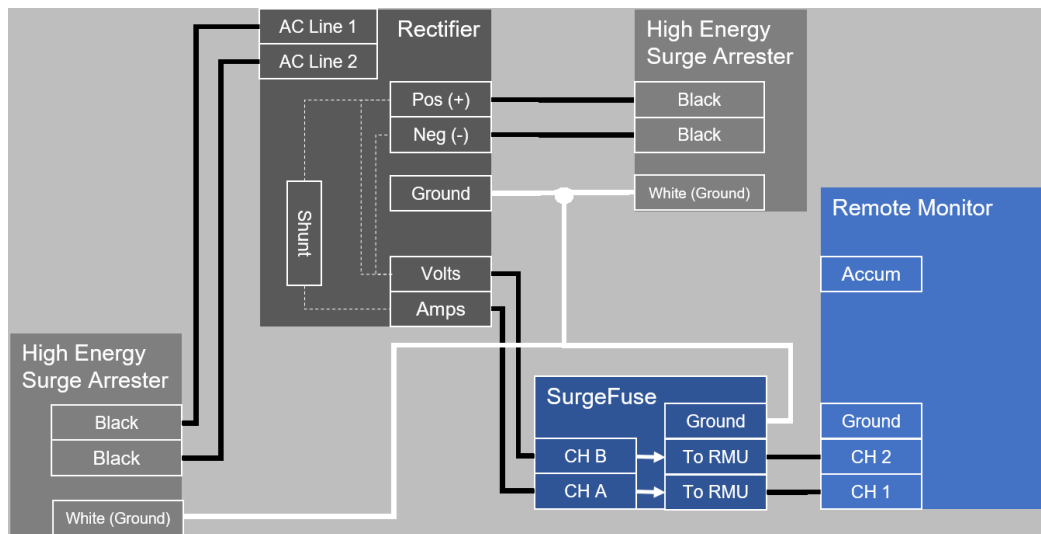
Arrester Rating (V rms)	Max Continuous Operating Voltage (v rms)	Max Energy Capability (Joules/Phase)	Front of Wave Protective Level (kV Crest)	8/20 μ s Current Maximum Discharge Voltage (kV Crest)				
				5kA	10kA	20kA	30kA	40kA
240	240	3405	1.8	1.5	1.7	1.9	2.6	

¹Tests were performed in accordance with applicable sections of IEEE Std C62.11™ - 1993 standard (Metal Oxide Surge Arresters for Alternating Current Power Circuits).

²Based on current impulse, which results in a discharge voltage cresting in 0.5 μ s.

SurgeFuse

Insertion resistance:	<1 ohm
Maximum current:	100 mA
Open transient level:	>3kV



NOTE: Do not connect ground wire of RMU if it is installed on or in the rectifier cabinet

041921



aiworldwide.com

12211 Technology Blvd. Austin, TX 78727 • 800-229-3404