

Protect your RMUs and rectifiers from electrical surge events up to 40,000 volts.

The Advanced SurgeProtect Kit packs four times the protection of traditional arresters to keep your equipment operational and minimize downtime. Our [Bullhorn S Series RMUs](#) already provide industry leading surge protection up to 30,000 volts. Add SurgeProtect to increase that protection by over 30%!



High Energy Surge Arresters (HESA)

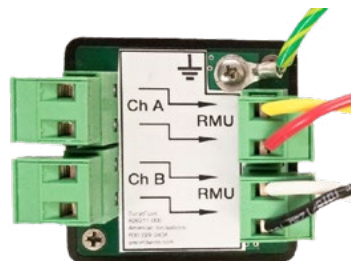
Two HESA arresters fully enclosed in stainless steel housing provide complete protection up to 40,000 volts. They incorporate metal oxide varistors (MOVs) to ensure superior energy handling for a long service life, even in the most severe conditions.



SurgeFuse

This powerful device is installed between the rectifier outputs and remote monitoring unit inputs.

When a surge event exceeds HESA capabilities, SurgeFuse intentionally breaks to prevent the electrical current from damaging the RMU.



Advanced SurgeProtect Kit Specifications

High Energy Surge Arrester

Performance Test Characteristics¹

Description	Characteristic
High-current, short duration:	2 discharges of 40kA crest, 4/10 μ s
Low-current, long duration:	20 surges of 75 A-2000 μ s duration
Duty cycle:	22 operations of 5kA crest, 8/20 μ s current wave

Insulation Withstand Voltages

Arrester rating:	1.2/50 impulse (kV Crest)	1 min dry (kV rms)	10 sec wet (kV rms)
All ratings:	10	6	6

Protective Characteristics²

Arrester Rating (V rms)	Max Continuous Operating Voltage (v rms)	Max Energy Capability (Joules/Phase)	Front of Wave Protective Level (kV Crest)	8/20 μ s Current Maximum Discharge Voltage (kV Crest)				
			5kA	1.5kA	5kA	10kA	20kA	40kA
240	240	3405	1.8	1.5	1.7	1.9	2.6	

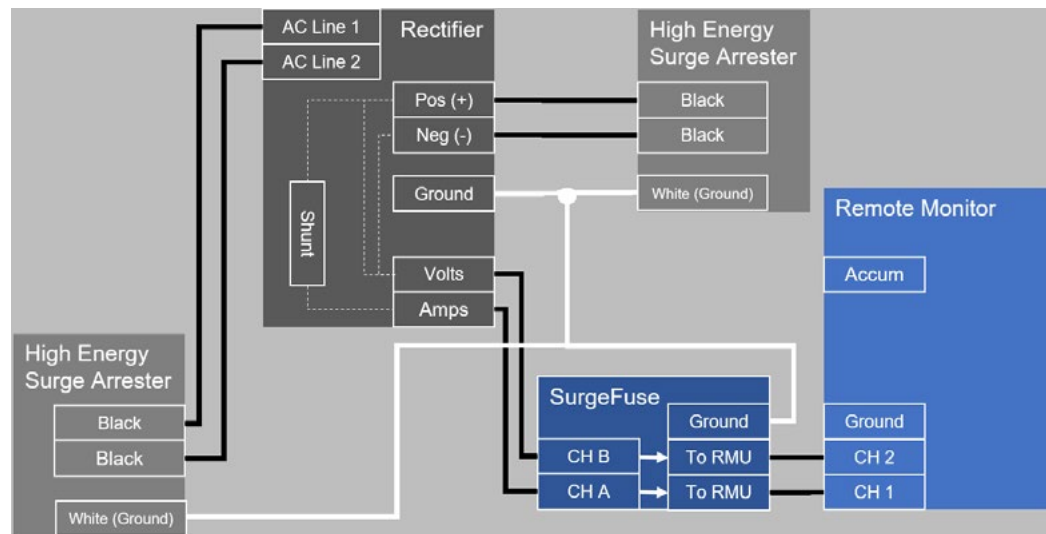
¹Tests were performed in accordance with applicable sections of IEEE Std C62.11TM - 1993 standard (Metal Oxide Surge Arresters for Alternating Current Power Circuits).

²Based on current impulse, which results in a discharge voltage cresting in 0.5 μ s.

SurgeFuse

Insertion resistance:	<1 ohm
Maximum current:	100 mA
Open transient level:	>3kV

NOTE: Do not connect ground wire of RMU if it is installed on or in the rectifier cabinet.



01062022

LEARN MORE: aiworldwide.com/bullhorn



American Innovations • aiworldwide.com
 12211 Technology Blvd. Austin, TX 78727
 800 229-3404 • info@aiworldwide.com